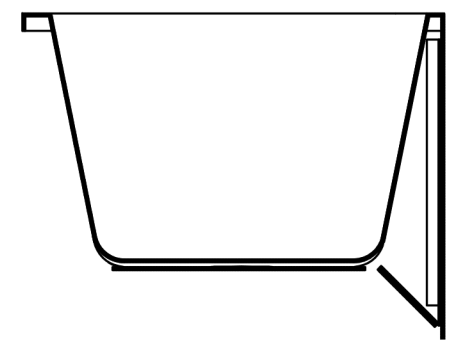
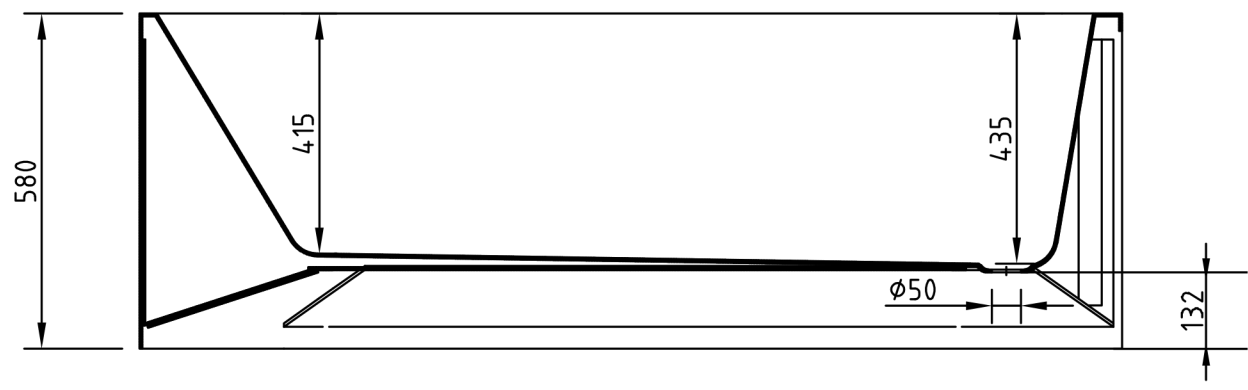
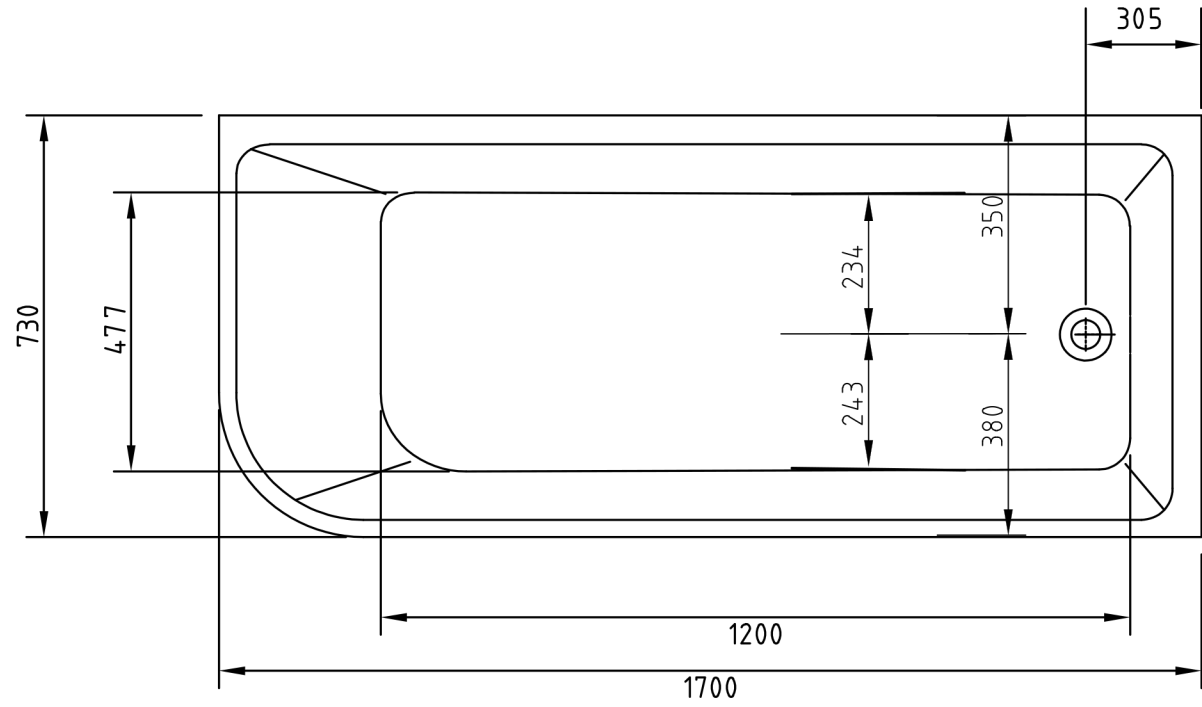


Tolerance(mm)	> 1000 +5/-10
	< 1000 +5/-5



B

B

C

C

1

2

3

A4